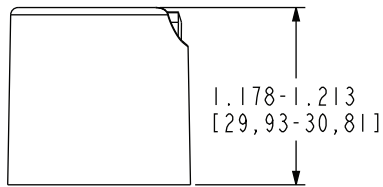
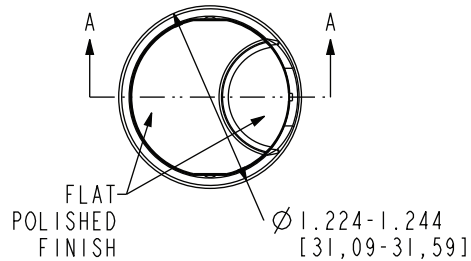




106334

28-410 White PP Press Top Dispensing Closure
 K.G. International - sales@kgint.com - +1 305 499-9816

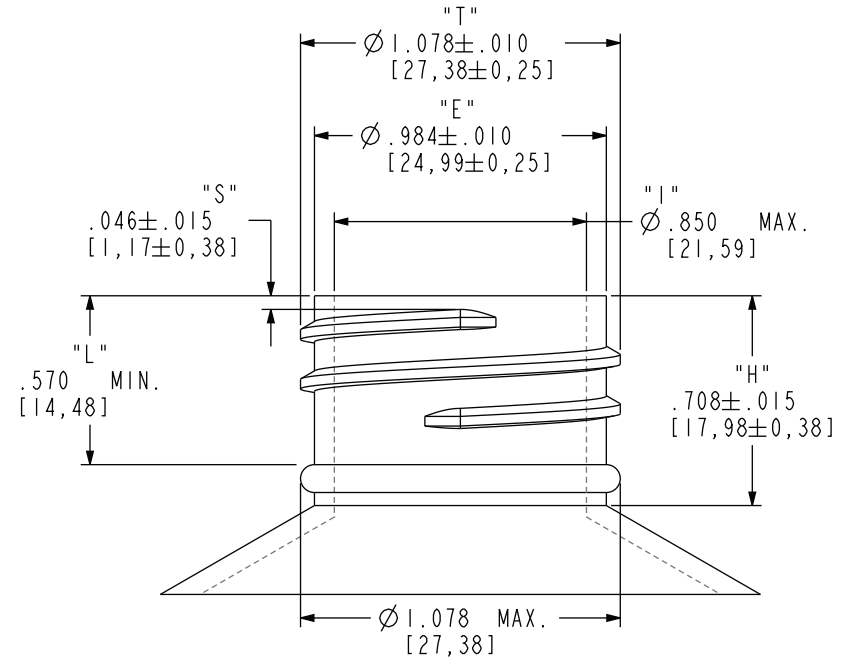
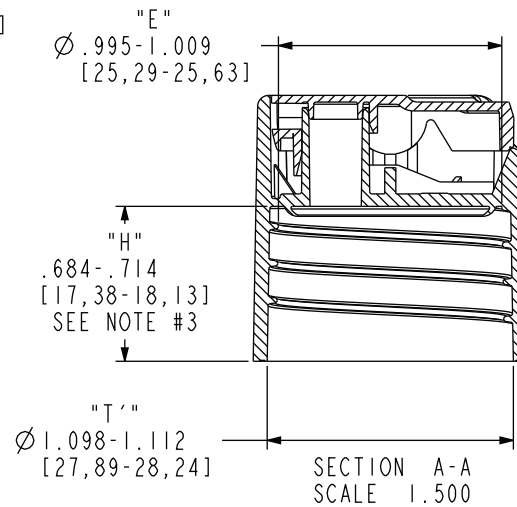


NOMINAL ORIFICE SIZES AVAILABLE

.118" X .336"
 [3,00 X 8,53]

NOTES:

1. THE "T" AND "E" DIAMETERS ARE THE AVERAGE OF 2 MEASUREMENTS TAKEN APPROXIMATELY 90° APART.
2. THE "T" DIAMETER IS TAKEN TOWARD BOTTOM OF CLOSURE JUST BELOW START OF FULL THREAD.
3. THE EFFECTIVE "H" DIMENSION CAN BE ESTIMATED BY SUBTRACTING .028" FROM THE SPECIFIED "H" DIMENSION. THIS REFLECTS THE ESTIMATED COMPRESSION OF THE SEALING MECHANISM AT NOMINAL APPLICATION TORQUE.
4. ALL DIMENSIONS ARE REFERENCE ONLY!



RECOMMENDED NECK FINISH

LAND MUST BE SMOOTH AND FREE OF NICKS OR RAGGED EDGES

THREAD PITCH = 6 THREADS PER INCH = .167

"M" STYLE THREAD (MODIFIED BUTTRESS)
 BEAD OPTIONAL
 TWO THREAD TURNS STANDARD
 THREE THREAD TURNS RECOMMENDED